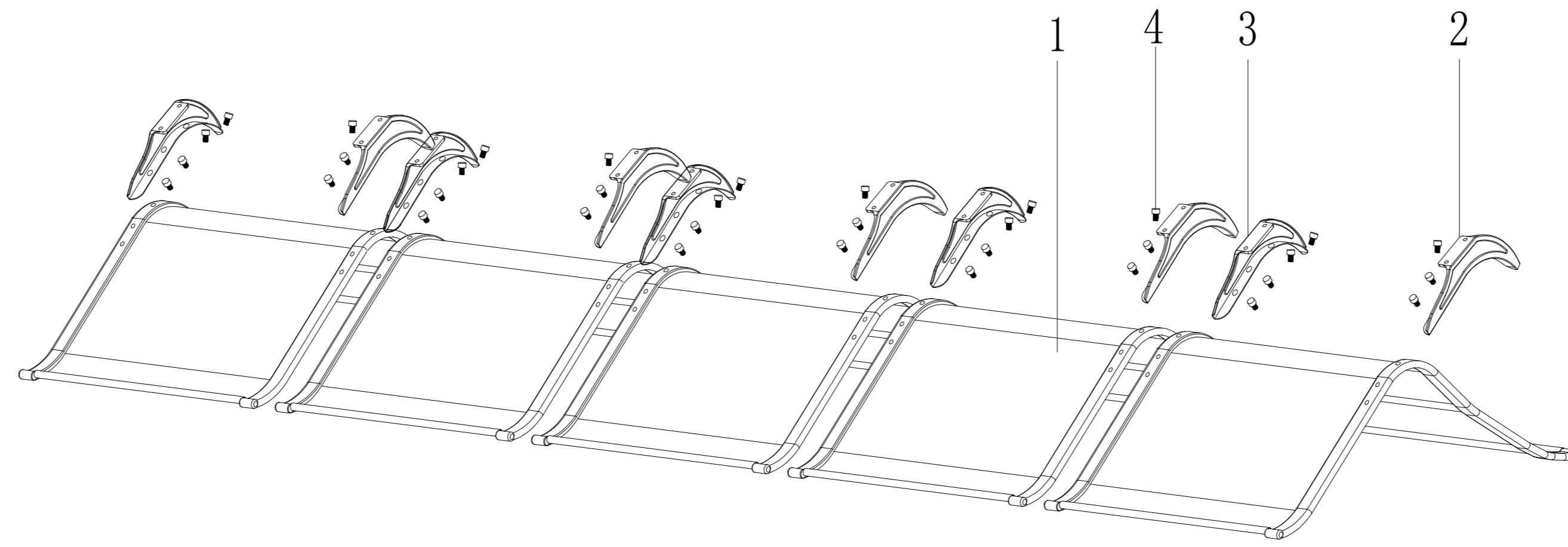


NO	Pic	Des	Size(MM)	Qty
1		Seat	520*700*425	5
2		Bracket (left)	32*256*120	5
3		Bracket (right)	32*256*120	5
4		Screw	M8*8	40
5		Beam	85*76*2925	1
6		Screw	M8*16	20
7		Adjust feet	75*50	6
8		Arm(left)	41*331*322	1
9		Arm(right)	41*331*322	1
10		Leg(left)	570*40*235	1
11		Leg(right)	570*40*235	1
12		Leg	570*40*235	1
13		fastener	78*36*47	1
14		Screw	M8*65	2
15		Screw	M8*100	4
Tool		Accessory	6*6 mm	1
Tool		Accessory	12*120 mm	1

Installation Instruction (Model No:820G)

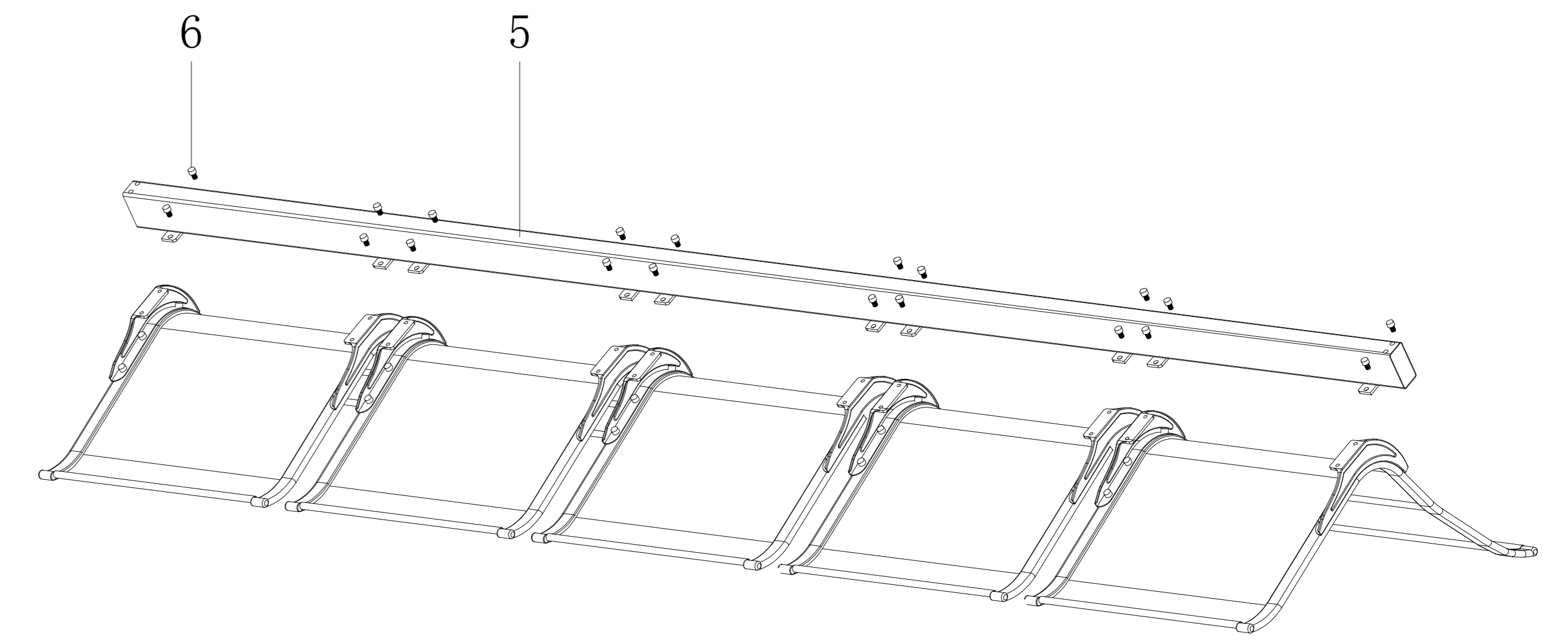
Thank you for purchasing our products. Please read this manual carefully before installation. Please turn all the screws into the screw holes and then tighten the screws. After tightening the screws, keep the same gap between the front and rear. Do not tighten one side before tightening the other. On one side, this will cause difficulty in installation, slippery teeth, uneven chair legs, seat backs not in the same line, etc.

1



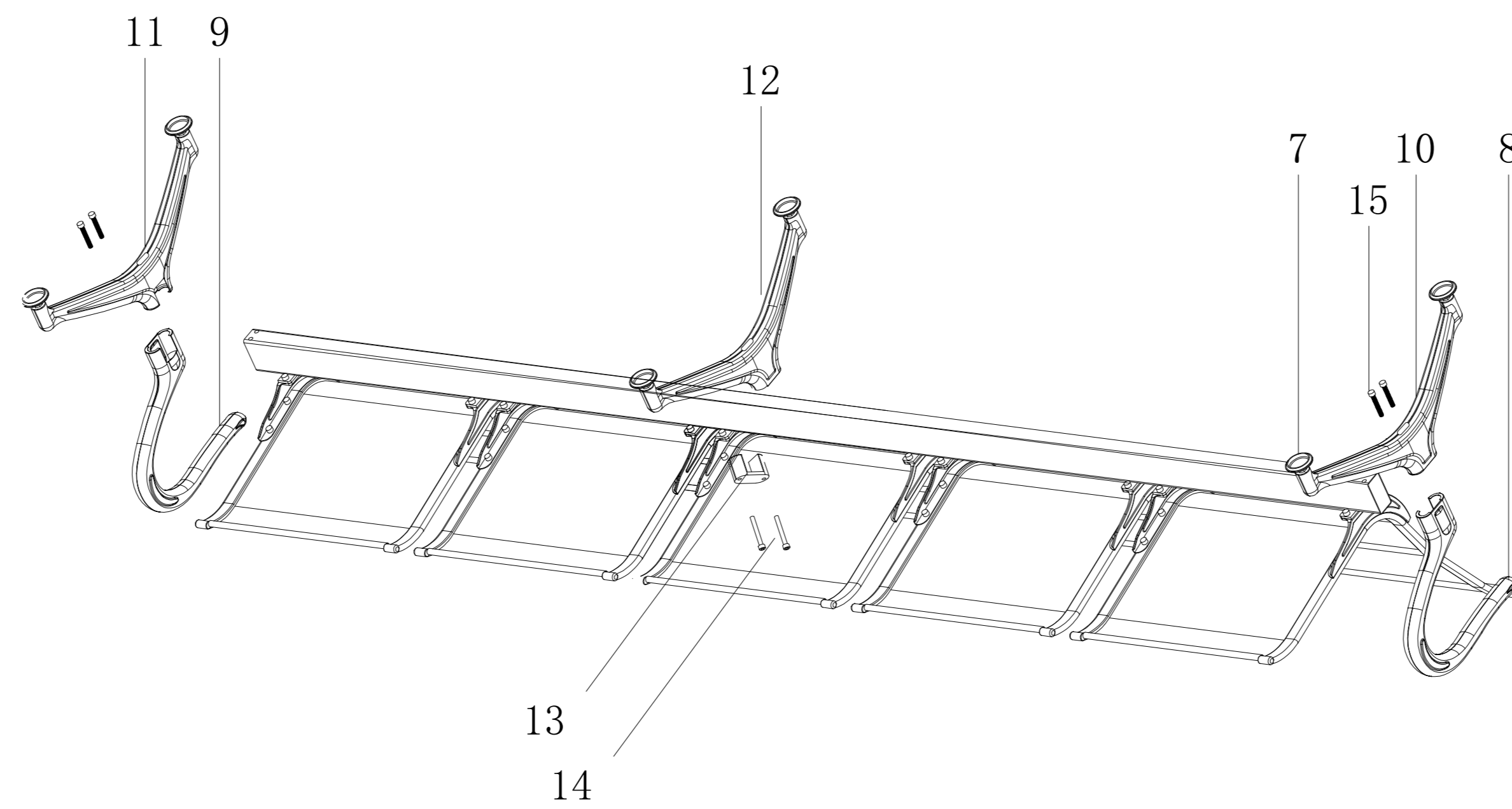
Turn the seat & back upside down, install the left and right brackets for each seat separately, pay attention to the left and right directions.

2



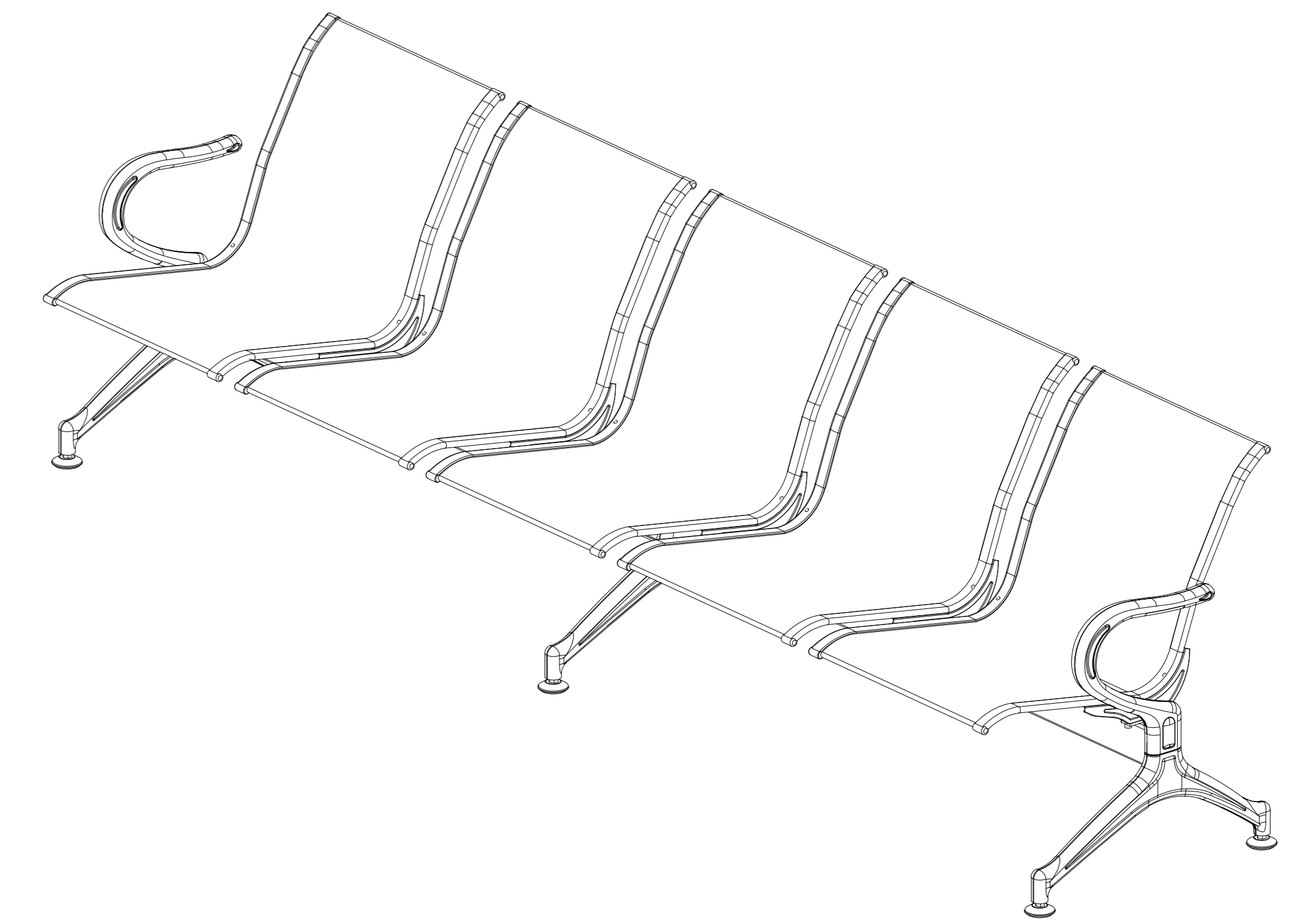
fix the beam onto the bracket.

3



fix the arm and leg with screw which go through the long screw hole in both two side of the beam.

4



Place the chair on the ground, adjust the chair without shaking, then the installation complete.