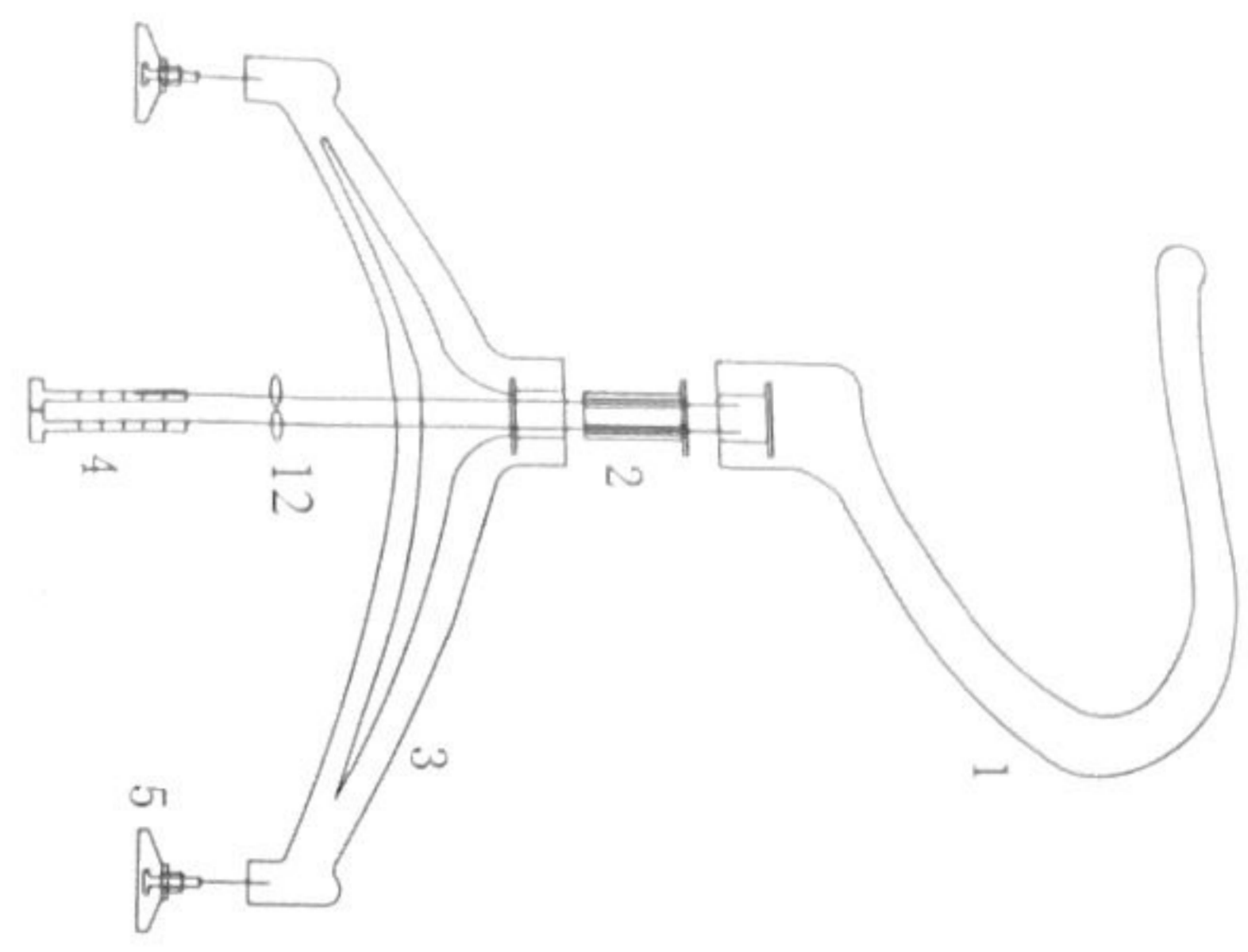
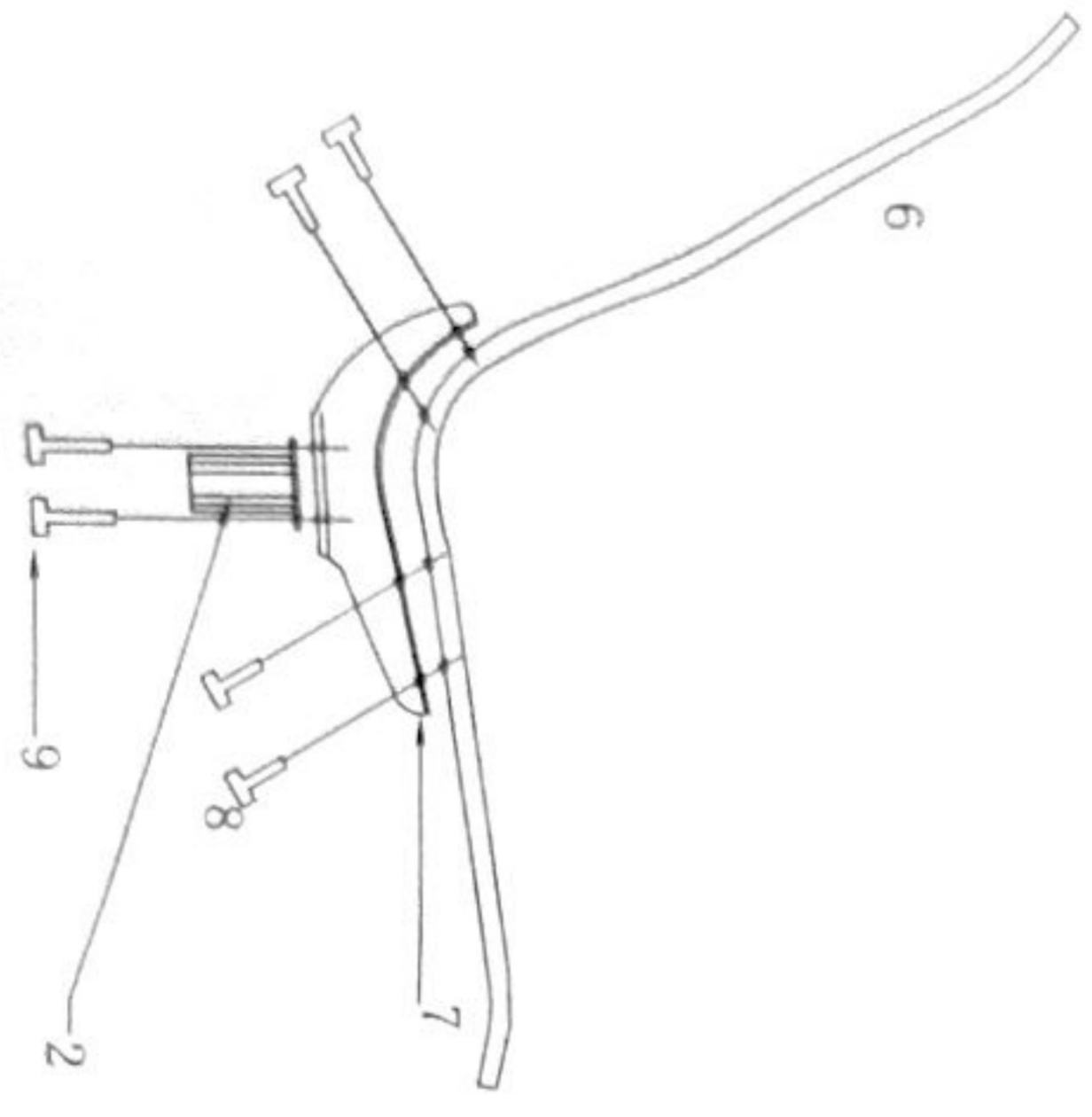


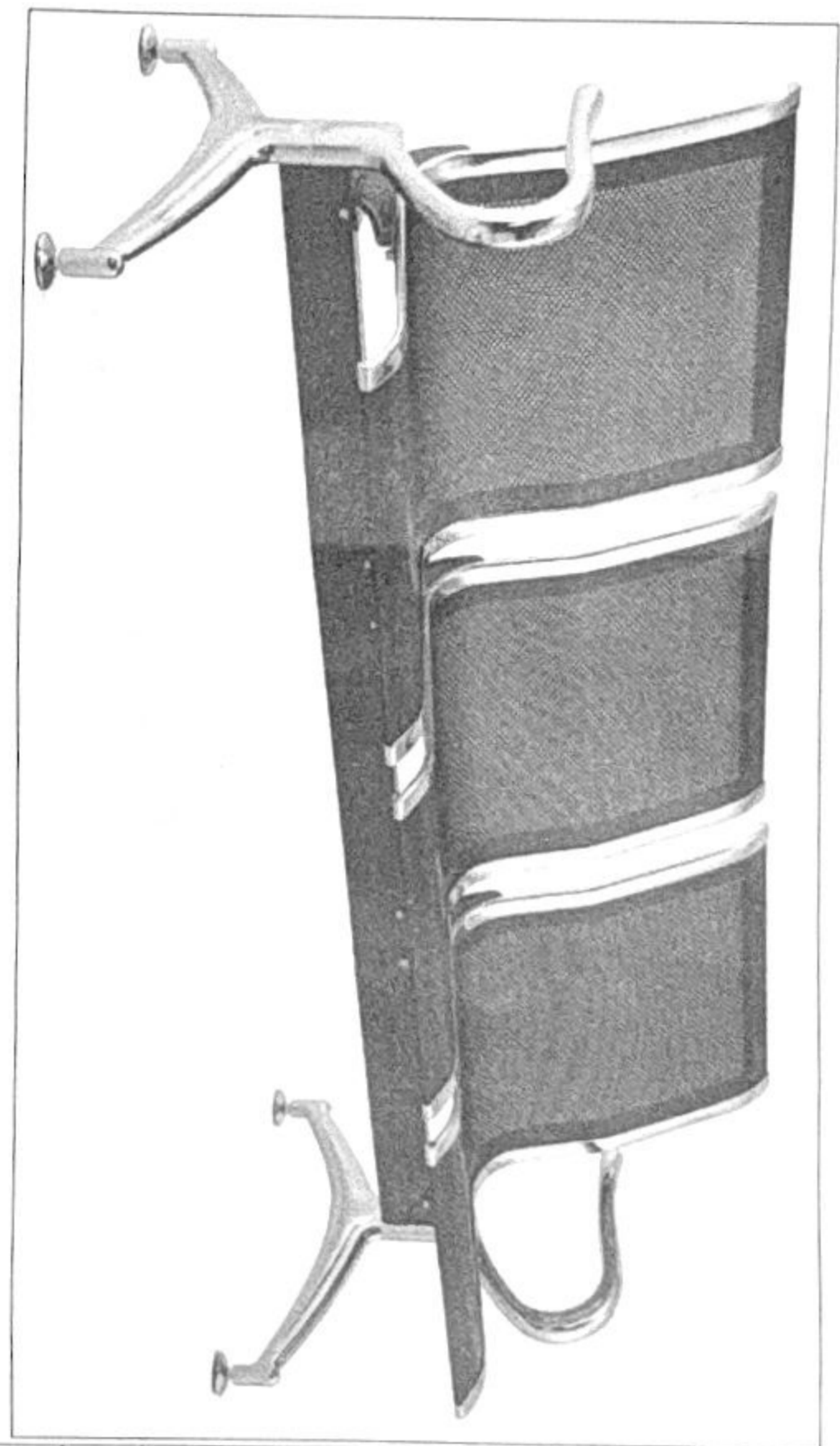
Step 1



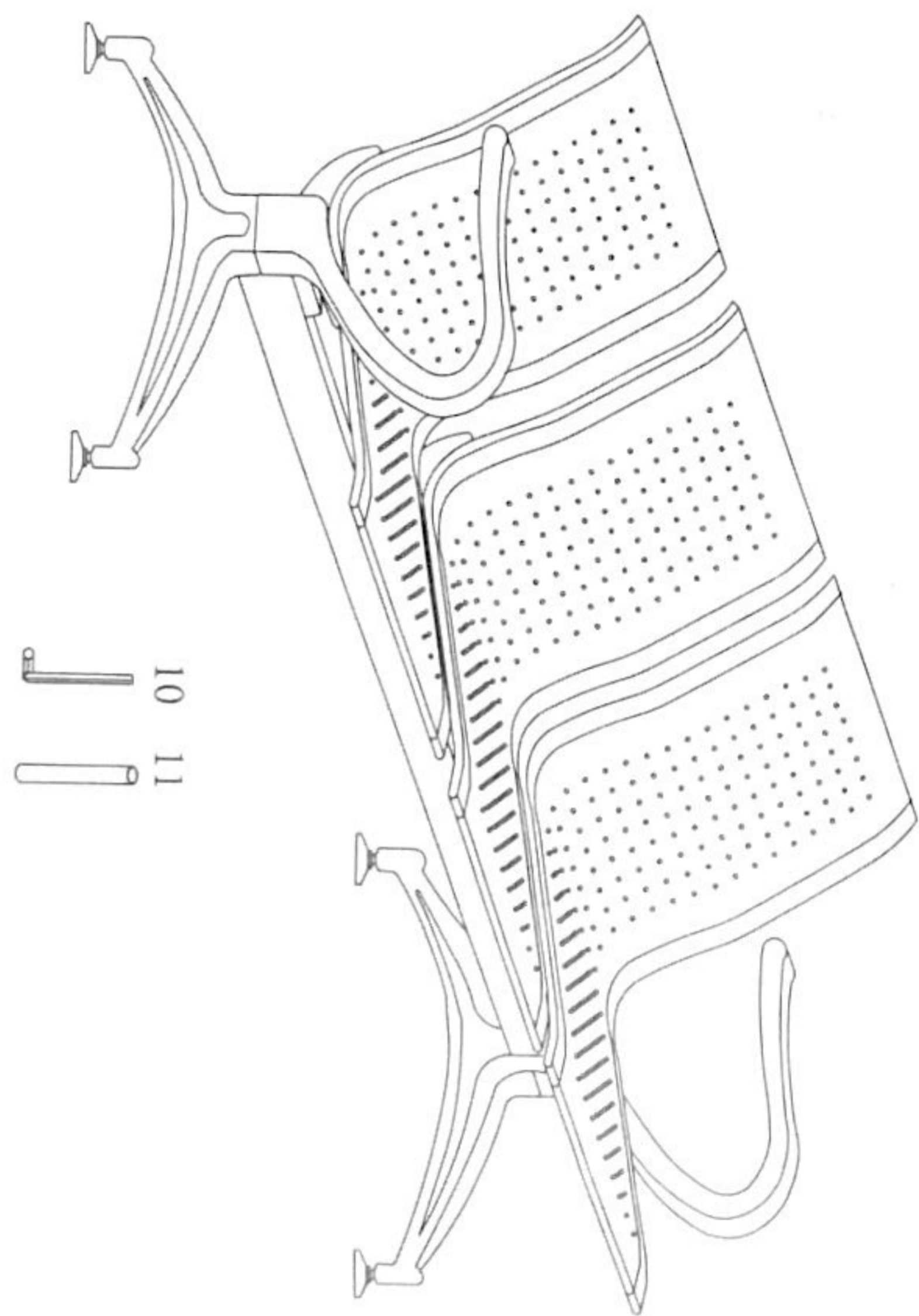
Step 2



Step 3



Serial number	Parts name	Quantity
1	Armrest	2
2	Beam	1
3	Leg	2
4	M8×95	4
5	Adjusts the foot	4
6	Back	3
7	Support	6
8	M8×8	24
9	M8*16Screw	12
10	M6Hexagonal screw tap	1
11	Cannula	1
12	Meson	4



MODEL NO.:3SEATER